

Pioneer Play

SOLE030.010

Seesaw eagle

The eagle takes you on his wings.



SOLE030.010

Seesaw eagle



2



2 - 12



3.2 x 0.3 x 0.8 m



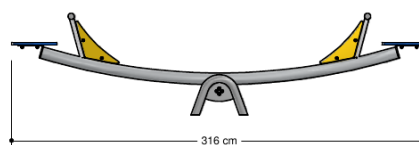
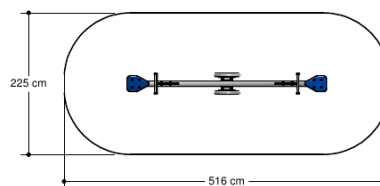
5.2 x 2.3 m



5.2 x 2.3 m



1.0 m



Playfunctions

Seesaw

Material

All steel parts are stainless steel. The panels are of an outdoor quality colored HPL laminate. Connections consist of stainless steel. The feather is done using a torsion element.

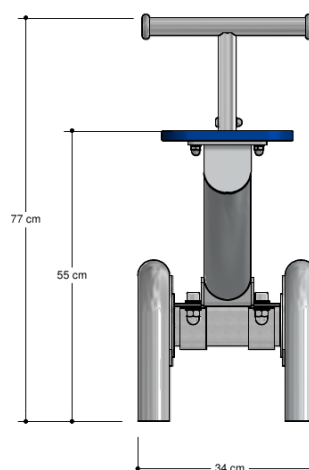
Anchorage

Support rocker is also the anchor which is dug to a depth of ± 60 cm.

Concrete is not required.

Comments

If the soil does not contribute to the stability it may be necessary to add concrete.



Opvangzone

Impact area

WAS, Dutch law

EN1176

Obstakelvrije zone

Obstacle free zone

WAS, Dutch law

EN1176

